



MUL-T-LOCK®

Interactive® CLIQ®

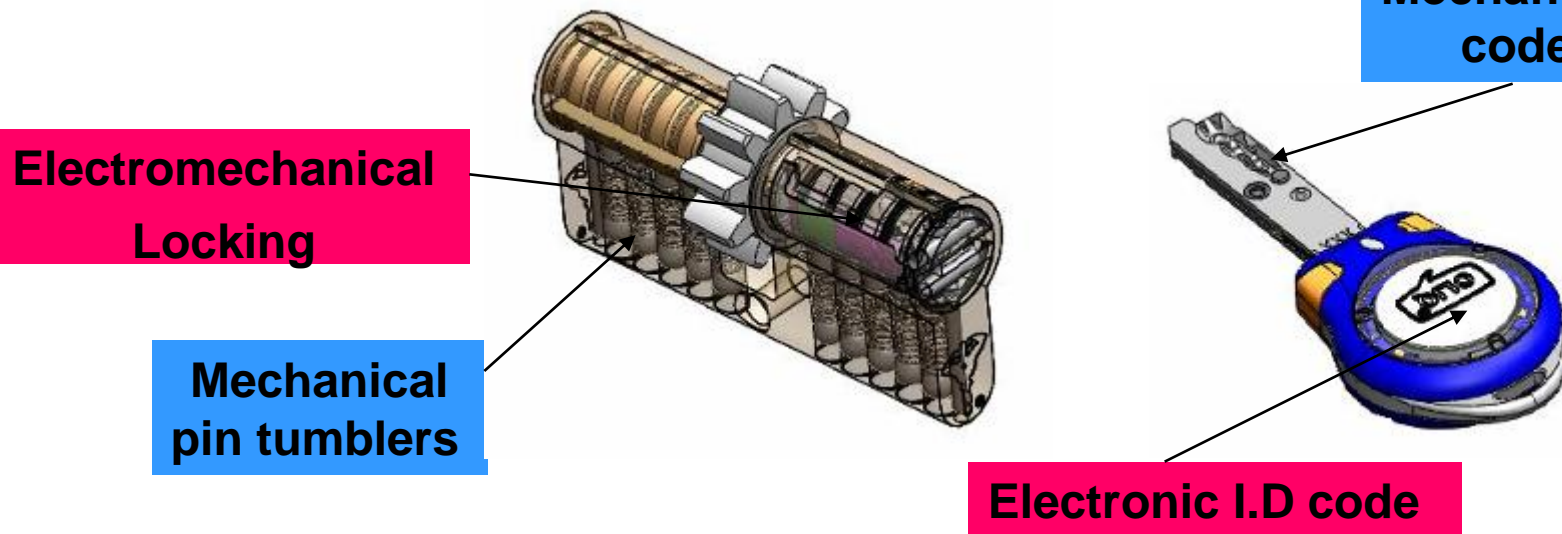
June 2009

Interactive® CLIQ® is an **Off-line Electro-mechanical Master Key System (MKS)** for commercial and residential applications



An ASSA ABLOY group technology

Electromechanical locking system added
to the high security mechanical cylinder



Wire free cylinders – easy to install
Battery in the key – easy to operate

One Key – Endless Possibilities!



More than 30 cylinder applications!



And more..

The products



- CLIQ® cylinder
 - Normal
 - Extended memory
- CLIQ® key
 - User key
 - Quartz key
 - Quartz+ key



Problem

- Lost keys present a threat to the security of the Master Key System



Solution

- In the CLIQ system, a lost key can be easily unauthorized.

Problem

- Unauthorized duplication of key is a risk to the integrity of the locking system



Solution

- The CLIQ key is copy proof
- Communication between key and cylinder is encrypted (3DES)

Problem

- Organizations grow and change rapidly
- There is a need to adapt the locking system to the fast changes

Solution

- Authorization changes are easy
- Done with the user friendly SW and the Control Key



Problem

- Electronic systems are difficult to install
- Wiring is required



Solution

- Easy installation of CLIQ cylinder
- Cylinder does not require any wiring
- Battery is in the head of the key

How CLIQ works?



Wake up!

11001010100010110010001000100001...

...00010000010001100100111000111101

Random number

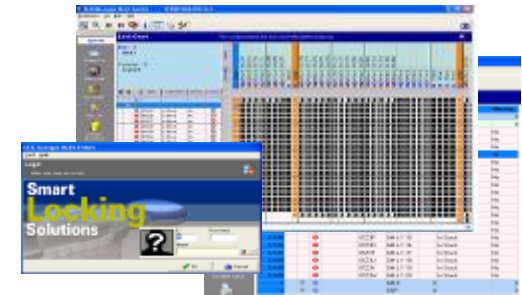
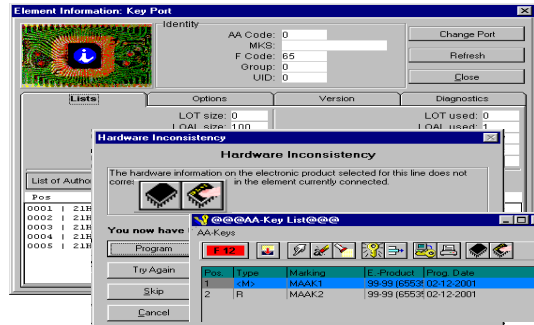
Encrypted response

110010101000100111000111101000101...

...00010000010001110010001000100001

Decrypt
Identify if valid
Register in audit trail
Open if valid
...
Close

CLIQ System Design Overview



MASTERpiece

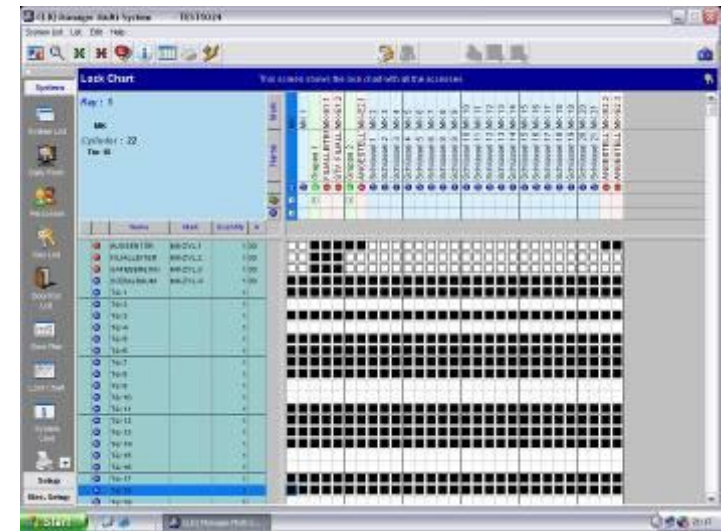
Factory /
D-Plus SW

Manager SW

CLIQ Manager Software



- The software for the daily management of a CLIQ system
 - Changing authorizations
 - Reading Audit Trail
 - Defining time profiles
 - Managing key holders
 - Handling lost keys
 - Using a Daylight Saving Time (DST)
 - Generating reports



CLIQ Manager Software Options



- Four versions of the Manager Software

Multi-system

- For managing more than one system
- For managing unlimited number of systems

Single system

- For managing one system in any size
- Intended for the locksmith or the end user

Manager 200

- For managing up to 200 (mechanical & electronic) keys in one system
- Intended for the locksmith or the end user

Manager 50

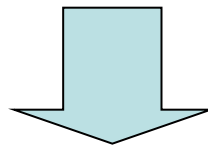
- For managing up to 50 keys (mechanical & electronic) in one system
- Intended for the locksmith or the end user



- Cylinder opens after introduction of up to 8 pre-defined sequence of keys
- For improved control and security
- Applications
 - Classified files
 - Computers and servers
 - Control rooms
 - Expensive equipment
 - Drugs



- Unique approach: to allow strategic partners the local assembly and programming of CLIQ systems
 - USA, UK, Canada, France, The Netherlands, Brazil, Spain and Austria
- Use of the D-Plus Software
- Stock of tested CLIQ sub assemblies
- Local production and service of CLIQ cylinders and keys
- Local design and programming of CLIQ systems



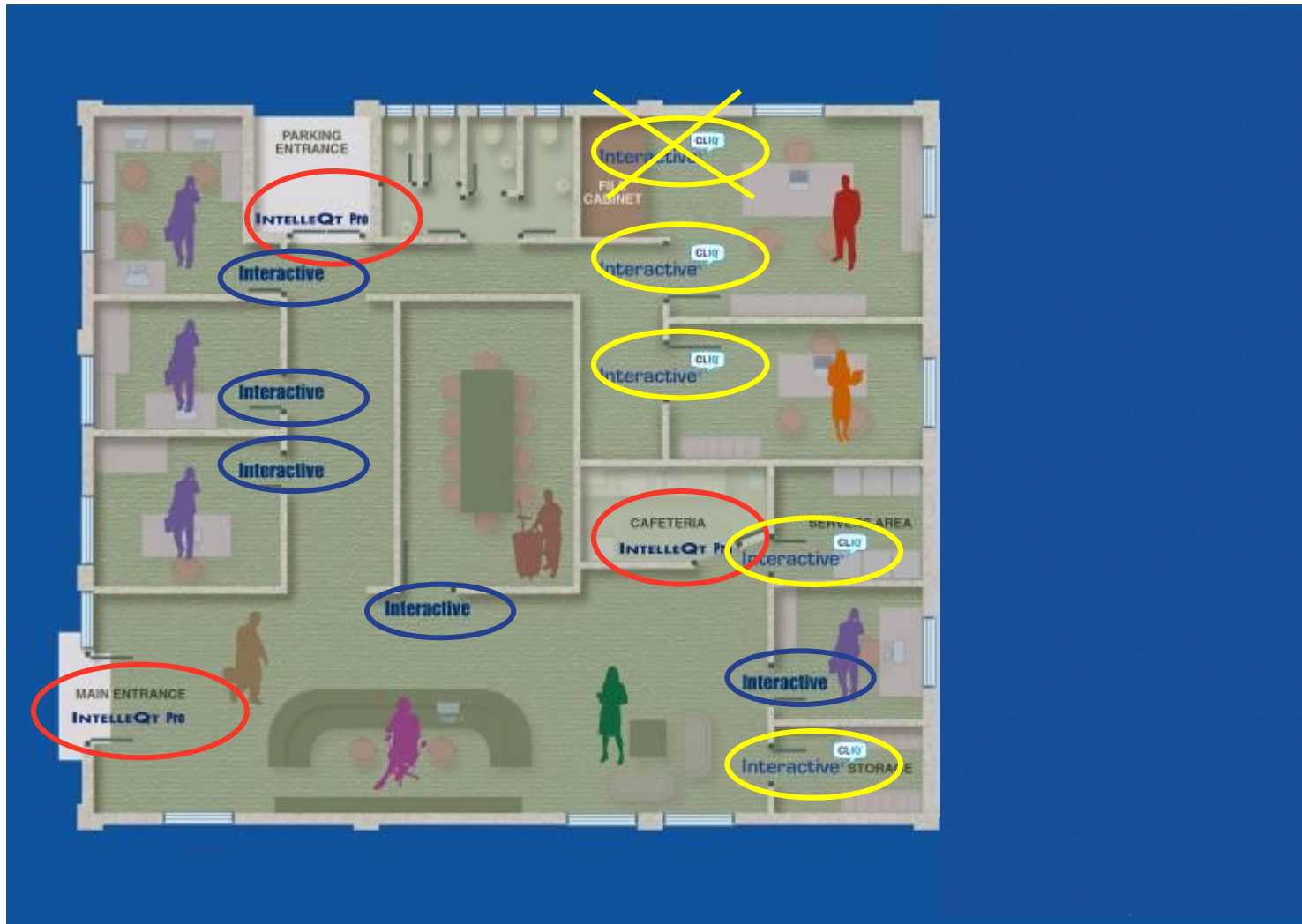
Quick response to customer's needs

- **CLIQ key which combined with access control systems**
 - RFID transponder is in the key head
 - **Compatible with electronic RFID control systems**



Syner 

One Key, Endless Possibilities





Cylinder → IP55

Key → CE IP57

NEMA IP67



UT that were currently tested.

Description	Pass / Fail	Notes	Compatible	Job Number
Cylinder	Pass	IEC 605269 IP5x		07/1136
Q	Pass	IEC 60529 IPx4		07/1153
CLIQ Key				
Cylinder	Pass	IEC 60529 IPx5		07/1151
Key	Pass	IEC 60529 IPx5	NEMA IP6P	07/1151
Key	Pass	IEC 60529 IPx7		07/1152

ements:

QualiTech - Environmental & Mechanical Lab. declare under our sole responsibility that the UUT CLIQ CYLINDER & KEY was tested to comply with the requirements of the applicable environmental test specification.

Typical applications for CLIQ



- Hospitals & Medical centers
 - Protect drug cabinets, patient data, etc.
- Schools & Universities
- Commercial chains
 - High rate of employee replacement
- Heritage buildings



More applications for CLIQ



- Offices
- Remote sites
 - Cellular telephone companies (Quartz+ keys)
- Banks
 - Sequence lock
- Casino, Lottery...
 - Using of padlocks





MUL-T-LOCK[®]

Thank You